



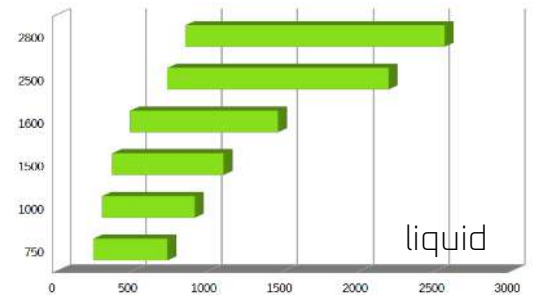
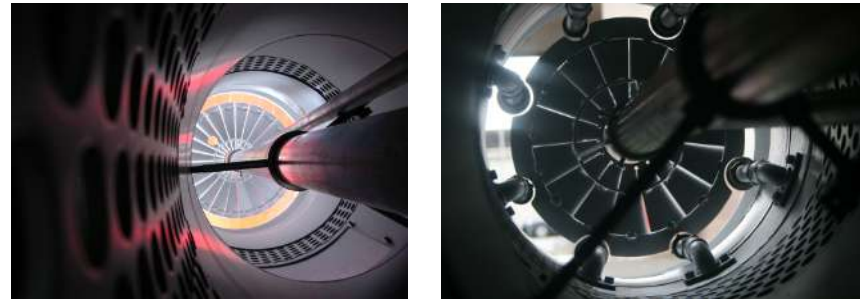
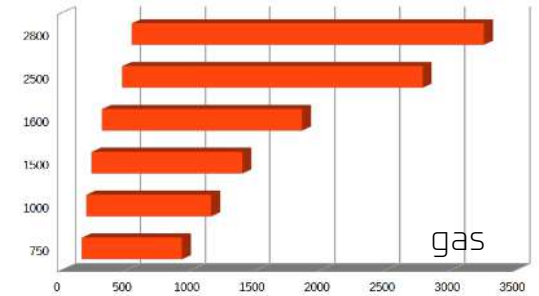
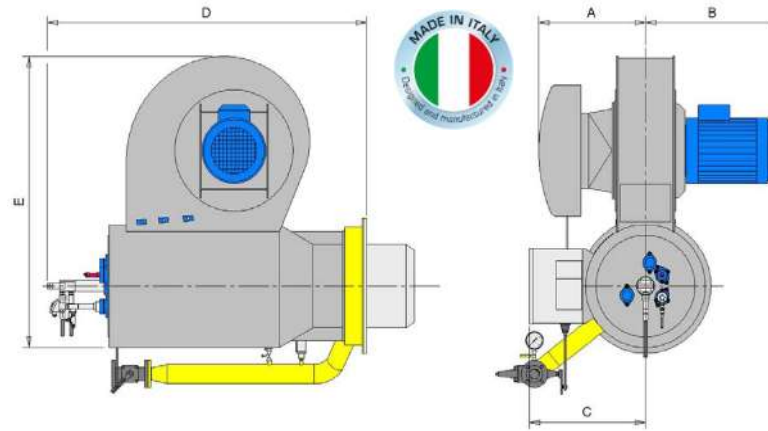
YBM series burners are our most versatile product.

Pneu-Tronic® pneumatic pulverization in case of liquid fuels.
2 fuels solution (gas+liquid) available with immediate fuel conversion switch

Suitable both for pressurized boilers and for vacuum-operated boilers, they have a compact, functional and rugged structure which allows an easy and reduced maintenance.

- 7% yearly fuel save with regular maintenance
- 5% better efficiency
- NOx emission reduction
- Better combustion

YBM



All technical datas are subject to change without notice due to technical improvements

		MIN		MAX		fan capacity		dimensions [mm]					gas fuel [Nm³/h]		liquid fuel [kg/h]	
		MW	10 ⁶ Kcal	MW	10 ⁶ Kcal	Volt	kw	A	B	C	D	E	min	max	min	max
technical datas	YBM 750	1,50	1,29	8,90	7,66	400	15	580	680	665	1770	1550	155	925	240	730
	YBM 1000	1,85	1,60	11,20	9,64	400	18,5	650	730	702	1920	1580	190	1150	300	910
	YBM 1500	2,20	1,90	13,40	11,53	400	30	670	845	730	1985	1775	230	1390	365	1100
	YBM 1600	3,00	2,58	17,90	15,40	400	37	735	850	795	2135	1795	310	1850	485	1460
	YBM 2500	4,50	3,87	26,70	22,96	400	75	800	1110	880	2460	2060	465	2780	730	2190
	YBM 2800	5,20	4,48	30,00	25,80	400	75	900	1200	950	2600	2200	540	3250	850	2560



Casiraghi
Burners
System



YBM

SINGLE BLOCK BURNER

UP TO 30 MW